



Titus Middle East

EXHAUST AIR VALVES



BRING COMFORT TO AIR & SOUND MANAGEMENT

Contents

	Page
Introduction	Page 3
Model EPV-TG Exhaust Air Valve	Page 4 - 5

Introduction

Air valves offer a simple yet effective means of providing extract air for most commercial, industrial and domestic ventilation applications. The Models EPV-TG, is typically installed in Hotels, Flats, Apartments, Halls of Residence and Hospitals.

The Model EPV-TG has a convex inner cone for use on exhaust systems and is supplied with a steel fixing collar. Adjustment of the airflow rate is obtained by rotating the inner cone either inward or outward. Once the required setting is achieved the inner cone is held in place by use of an integral locknut.



Model EPV-TG Exhaust Air Valve

Model EPV-TG Exhaust Air Valve


Model EPV-TG

Mounting Ring
Valve Seat
Inner Cone
Description

Model EPV-TG is a circular exhaust air valve constructed in three sections, a convex inner cone, an outer valve seat having a foam gasket and a mounting ring. It is suitable for installation either in a duct, wall or ceiling. The 50mm mounting ring is provided for fixing into a duct or structural opening using screws (by others). Once the mounting ring is fixed into position, the valve seat should be rotated to engage the cross bar onto the flange grooves in the mounting ring. This retains the valve seat onto the mounting ring and compresses the foam gasket to create an airtight seal. The central bolt on the inner cone is located into the cross bar and turned clockwise to the desired position. Regulation of the airflow is carried out by simply rotating the inner cone clockwise or anti-clockwise until the required air volume is obtained.

Specification
Construction

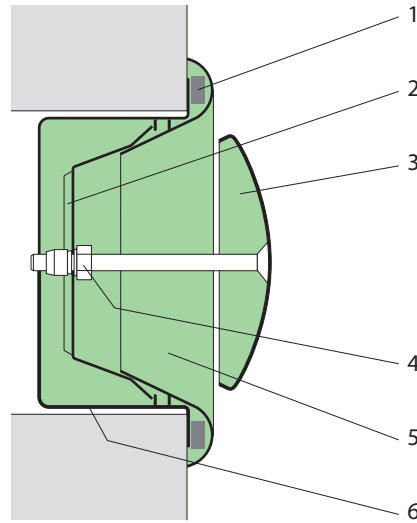
All main components from Pressed Steel with foam gasket seal.

Installation

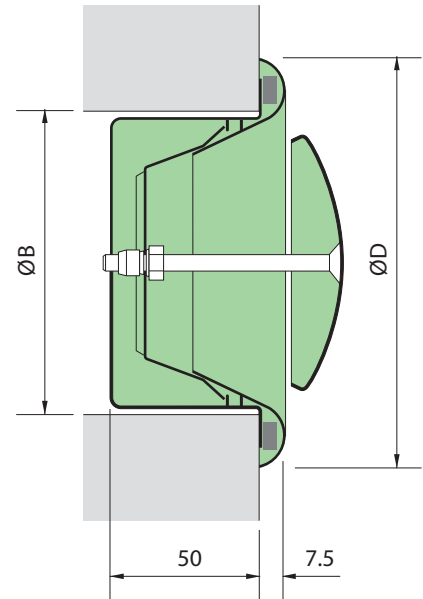
Screw fixing (by others).

Colour Finish

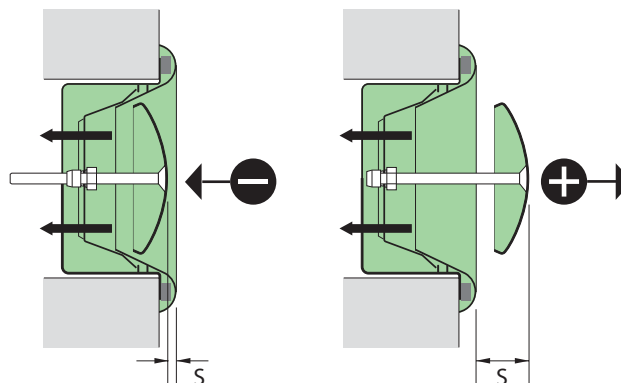
RAL 9010
 RAL 9016
 Other RAL Colours

Components Parts


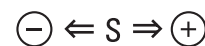
1. Foam Gasket - option
2. Cross Bar
3. Inner Cone
4. Locknut
5. Valve Seat
6. Mounting Ring

Dimensions


Size	ØB	ØD
100	100	139
125	125	160
150	150	192
160	160	196
200	200	232

Air Flow Regulation

Air flow regulation:

Adjust the air volume by rotating the valve disc in plus or minus direction.



s (mm). See Selection Tables on page 5 for details.

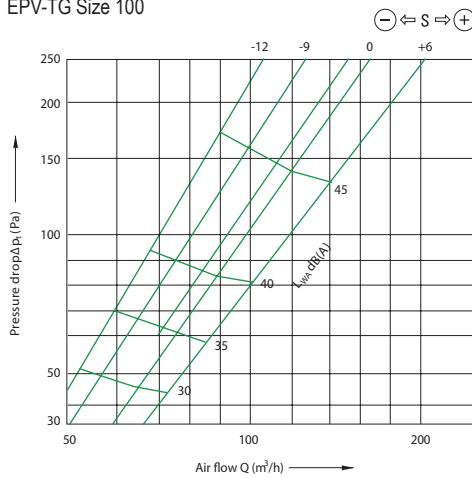
Quick Selection Guide

Model EPV-TG Exhaust Air Valve

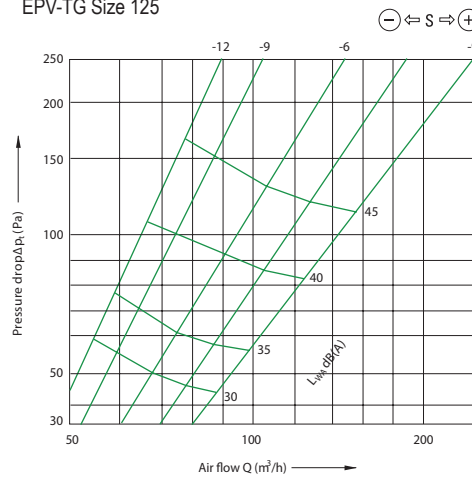
Size	Setting (mm)	Air Volume L/s	M3/hr	Pressure Drop Pa	Sound Level Lw dB(A)
100	"0"	20	72	60	35
	"0"	25	90	85	40
	"0"	35	126	145	45
125	"0"	20	72	40	30
	"0"	25	90	60	35
	"0"	30	108	85	40
	"0"	35	126	140	45
150/160	"0"	25	90	40	30
	"0"	30	108	60	35
	"0"	35	126	85	40
	"0"	50	180	150	45
200	"0"	45	162	80	35
	"0"	55	198	125	40
	"0"	65	234	160	45

Selection Guide

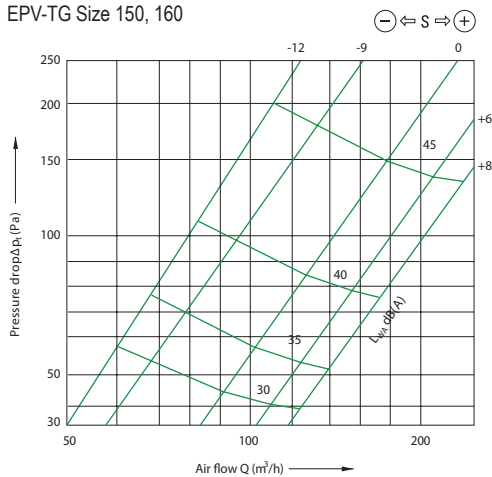
EPV-TG Size 100



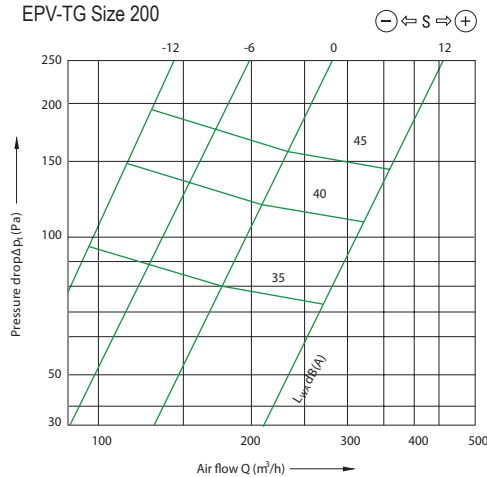
EPV-TG Size 125



EPV-TG Size 150, 160



EPV-TG Size 200



Example

Use the air flow volume air flow Q (m³/h) and pressure drop over the valve ΔP_t (Pa) to determine the valve set up s (mm) - using the positive negative direction.

Given data: $Q = 70$ m³/h $\Delta P_t = 60$ Pa

Sizing diagram at the valve 100 gives the valve set-ups $s = -3$ mm.

Q (m³/h)
ΔP_t (Pa)
L_w dB(A)

Air flow
Pressure Drop
Sound power level.

Ordering Information

Example

Model Type	Size	Color Finish
EPV-TG	100, 125, 150, 160, 200	RAL 9010
Exhaust Air Valve		RAL 9016
		Other RAL Colours

Other Products

- Grilles & Registers
- Linear Bar Grilles
- Door Transfer Grilles
- Square Diffusers
- Egg Crate Grilles
- Linear Slot Diffusers
- Flowbar Diffusers
- Jet Nozzles
- Disc Valve
- Vavs
- Flexible Ducts

Project References

- Fortnum & Mason Boutique, Dubai Mall – Dubai, UAE
- Tornado Tower - Qatar
- His Highness Ahmed Nashaat Villa, Palm Jumeirah – Dubai, UAE
- New Burjuman Shopping Center, Bur Dubai – Dubai, UAE
- Katsuya Japanese Cuisine, Level 1, Dubai Mall – Dubai UAE
- Command of Military Works - Sharjah - U.A.E.
- Four Seasons Hotel, Bahrain Bay - Bahrain.
- Barakah Nuclear Power Plant , UAE
- Four Seasons Jumeirah - Dubai, UAE
- Dubai Trams, UAE
- Heart of Doha - Doha Land.
- King Abdullah Sports City, KSA
- Abu Dhabi International Airport - Abu Dhabi, UAE
- Dubai Metro - Dubai, UAE



Titus Middle East

Ruskin[®] Titus[®] Gulf
Air & Sound Control
BRING COMFORT TO AIR & SOUND MANAGEMENT

Address - Manufacturing Plant :-
P.O. Box : 4683, UAQ - United Arab Emirates
Office : Tel. : +971 4 4213560, Fax : +971 4 4213562
E-mail : sales@ruskintitus.com - **Web.:** www.ruskintitus.com